

Vibrating screen machine MK40



Dimensions of the screen:

Width: 1,55 m

Length: 2,85 m

Height: 2,68 m

Weight 1400kg

The machine is powered by an electric motor
400V 1.5kW

The screen is equipped with 1 or 2 decks of sieves.
Screening surface of the screens 3m². Each deck
consists of 2 sieves with dimensions 1x1,5m. The
sieves have a longitudinal tension

The perfect combination of performance and mobility. Relatively small dimensions and own weight allow you to easily transport the screen to any place.

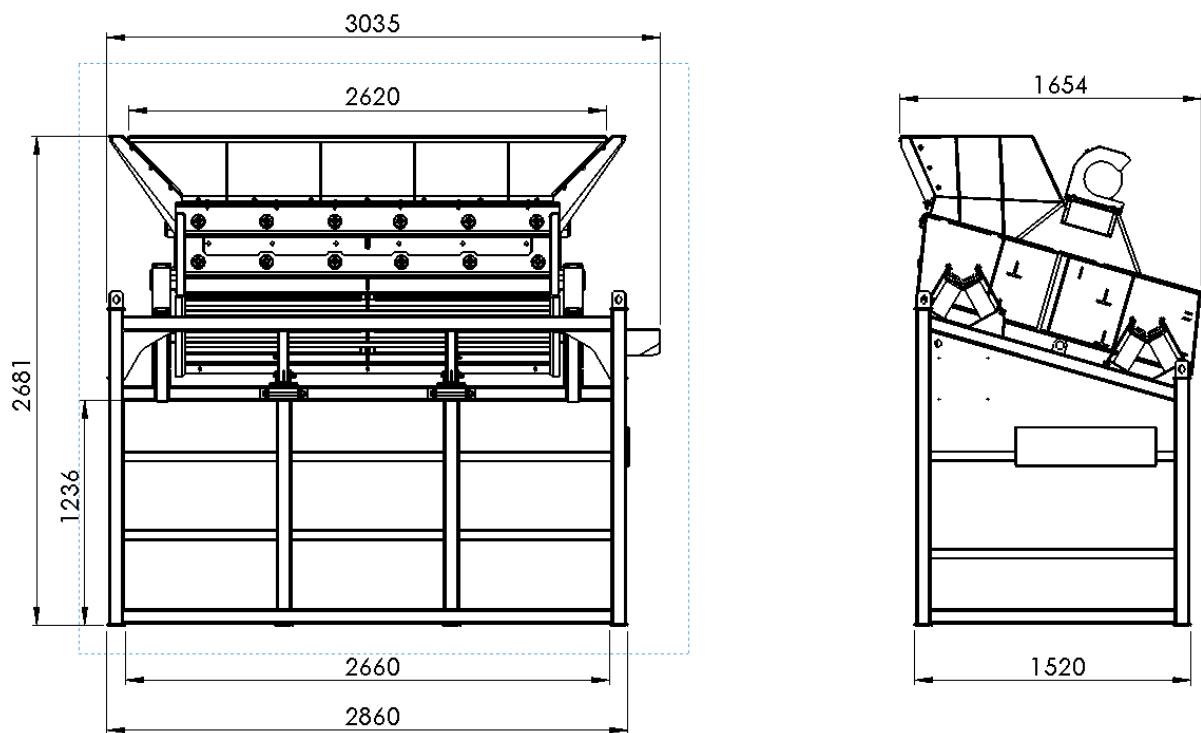
A powerful electric motor with a power of 1.5 kW and a force of 2083 kg in combination with a sieve area of 3 m² allows for high screening efficiency. It is approximately for:

- compost 8t/h – 13m³/h
- wood chips 7t/h - 27m³/h
- clay 20t/h - 41m³/h
- stone 40t/h – 22m³/h
- gravel 45t/h – 30m³/h

Very easy and quick sieve replacement, just unscrew 3 screws for each sieve



Device dimensions as shown below:



The machine is delivered with:

- set of sieves (standard upper sieve 30x30, bottom sieve 10mm)
- user manual
- declaration of conformity CE